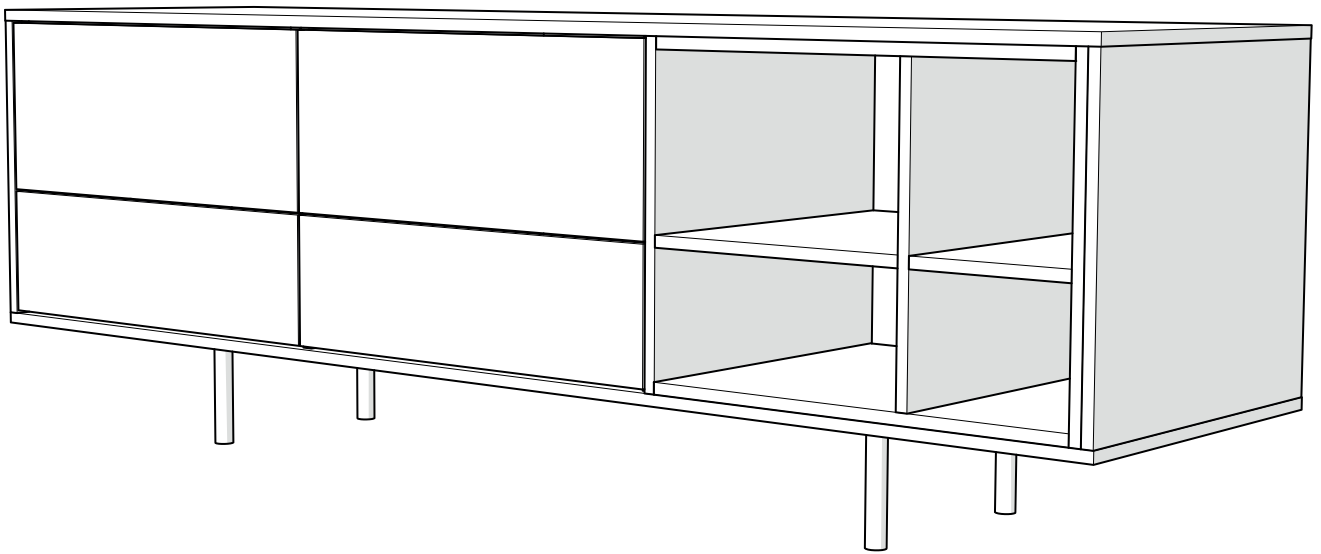
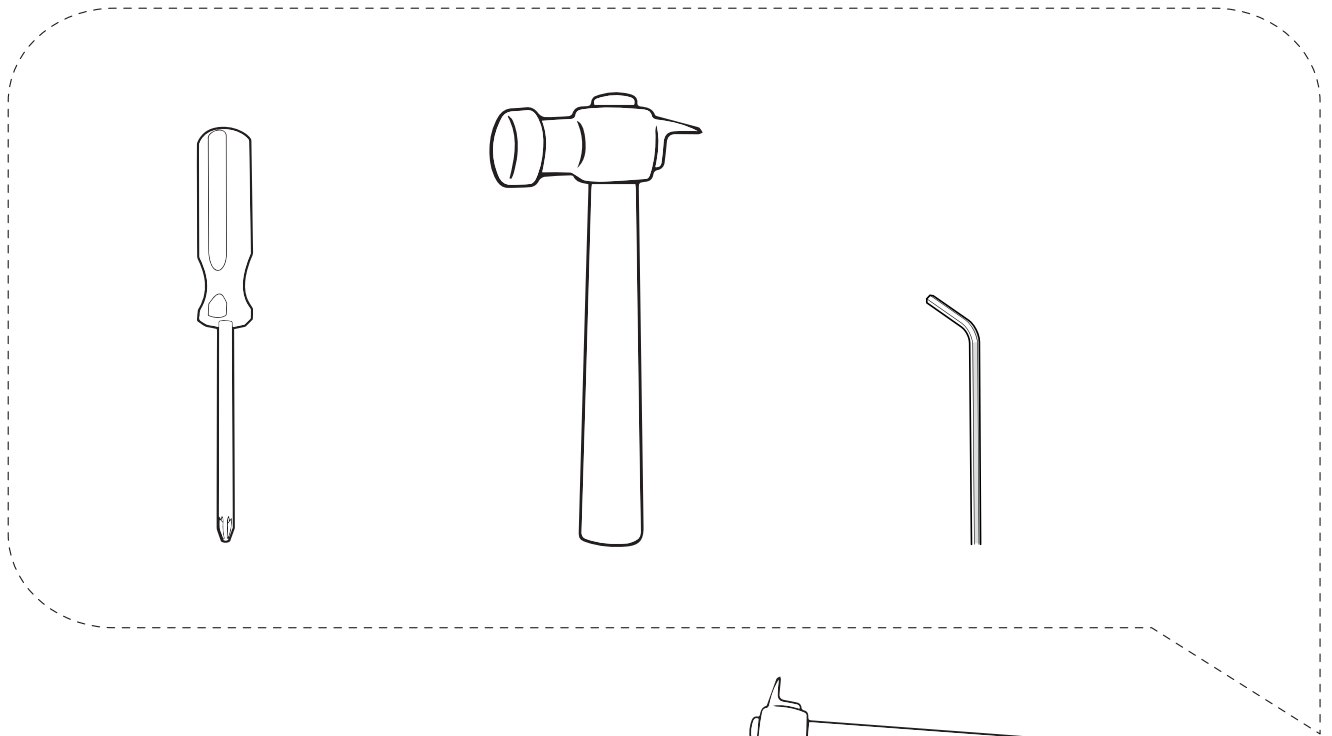


Lars

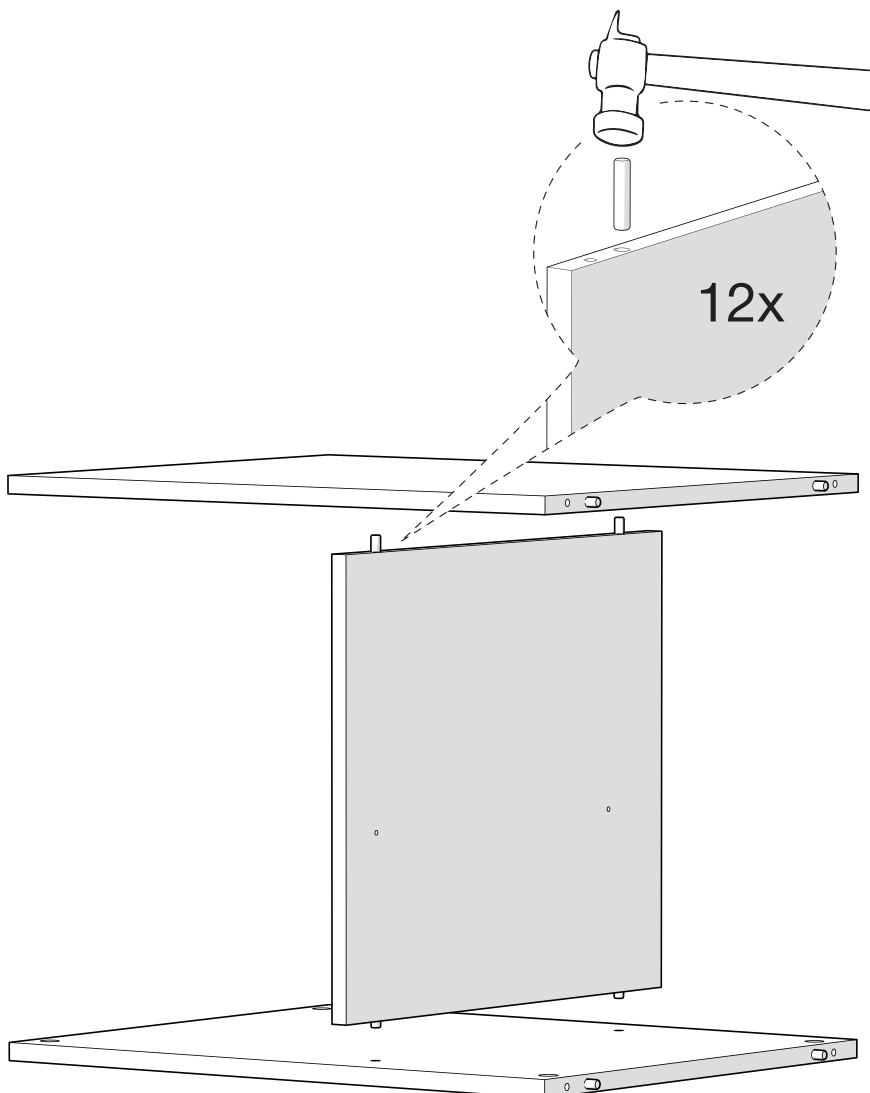
instruction



RUDENKO

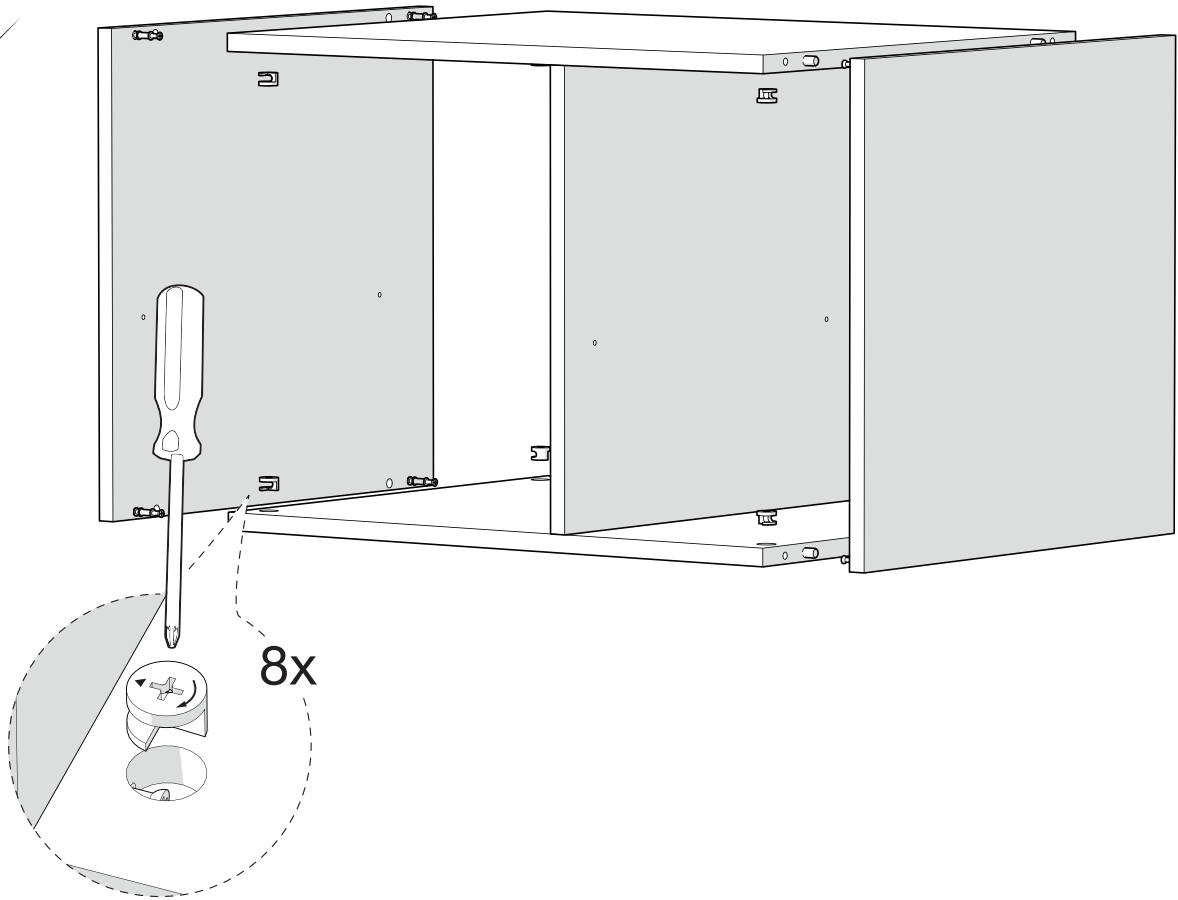


1

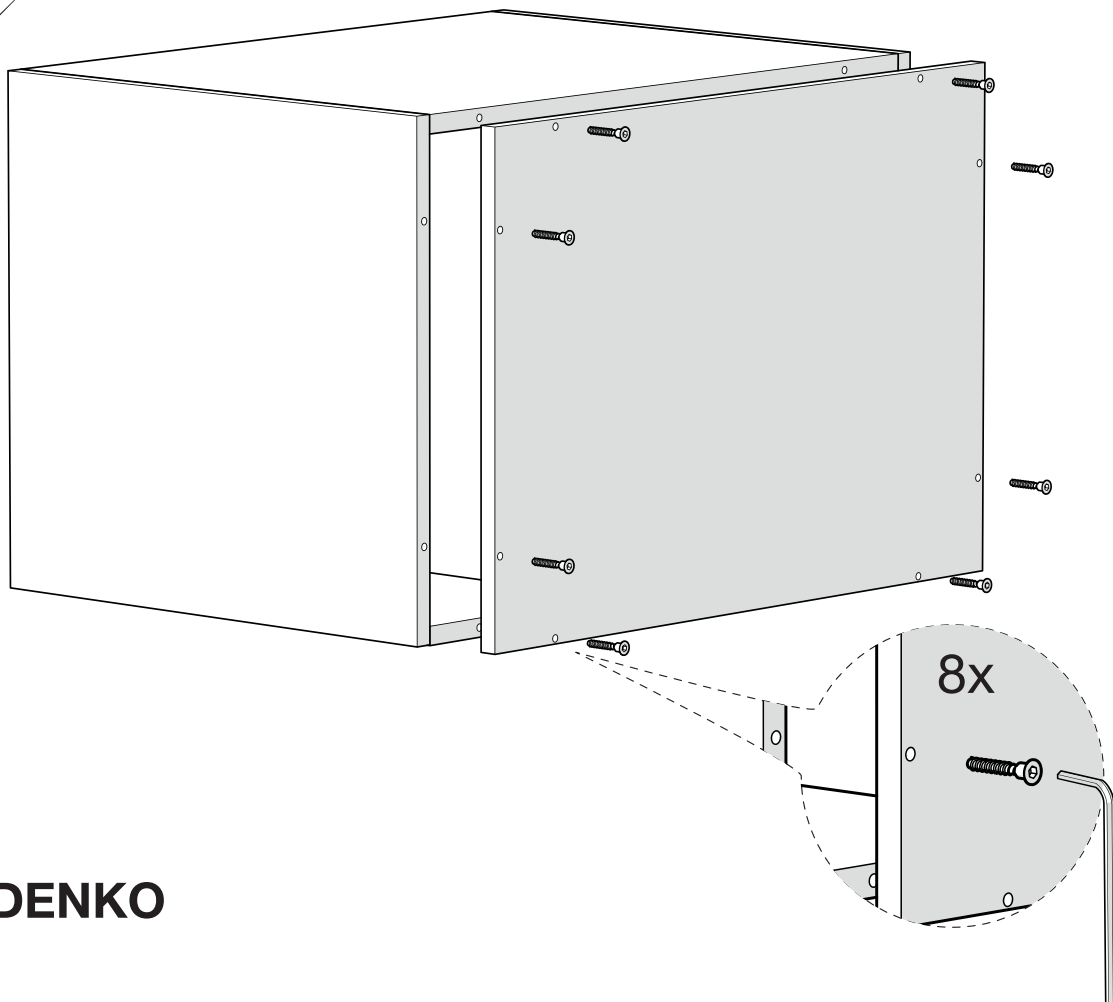


RUDENKO

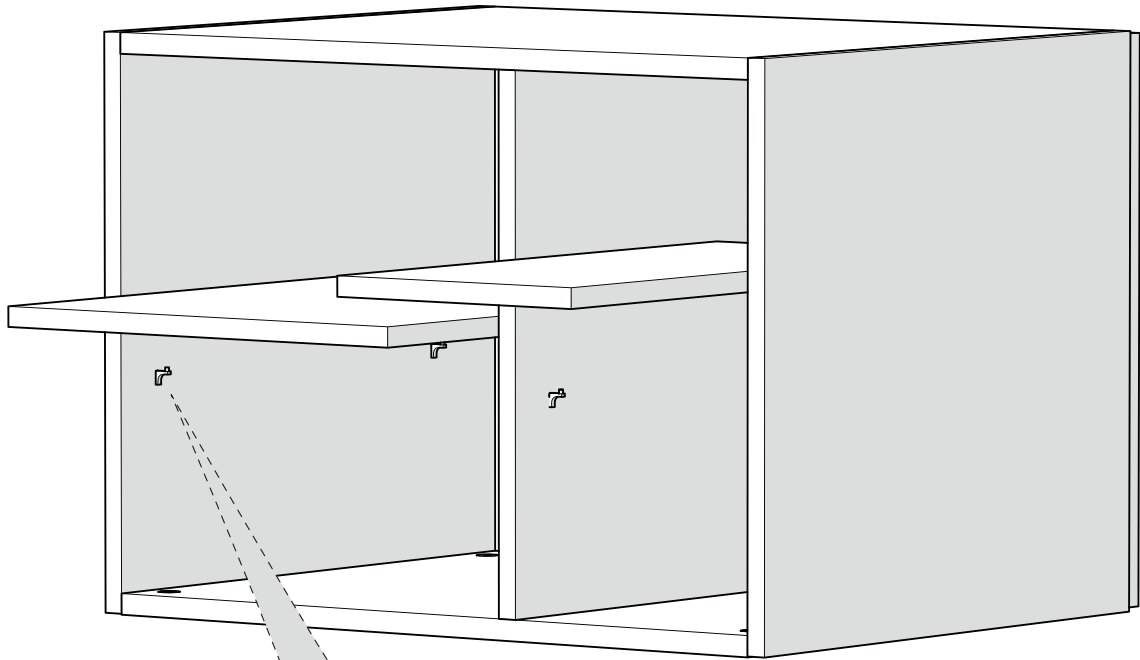
2



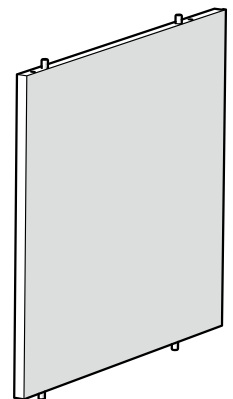
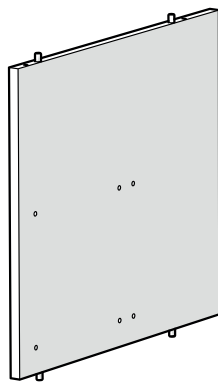
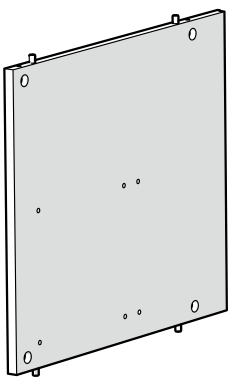
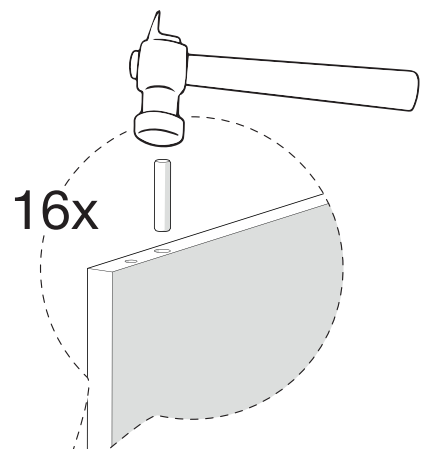
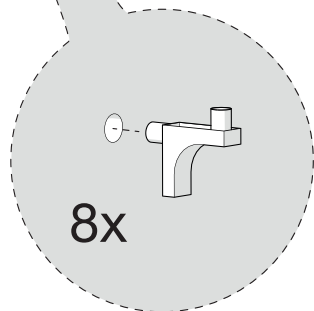
3



4

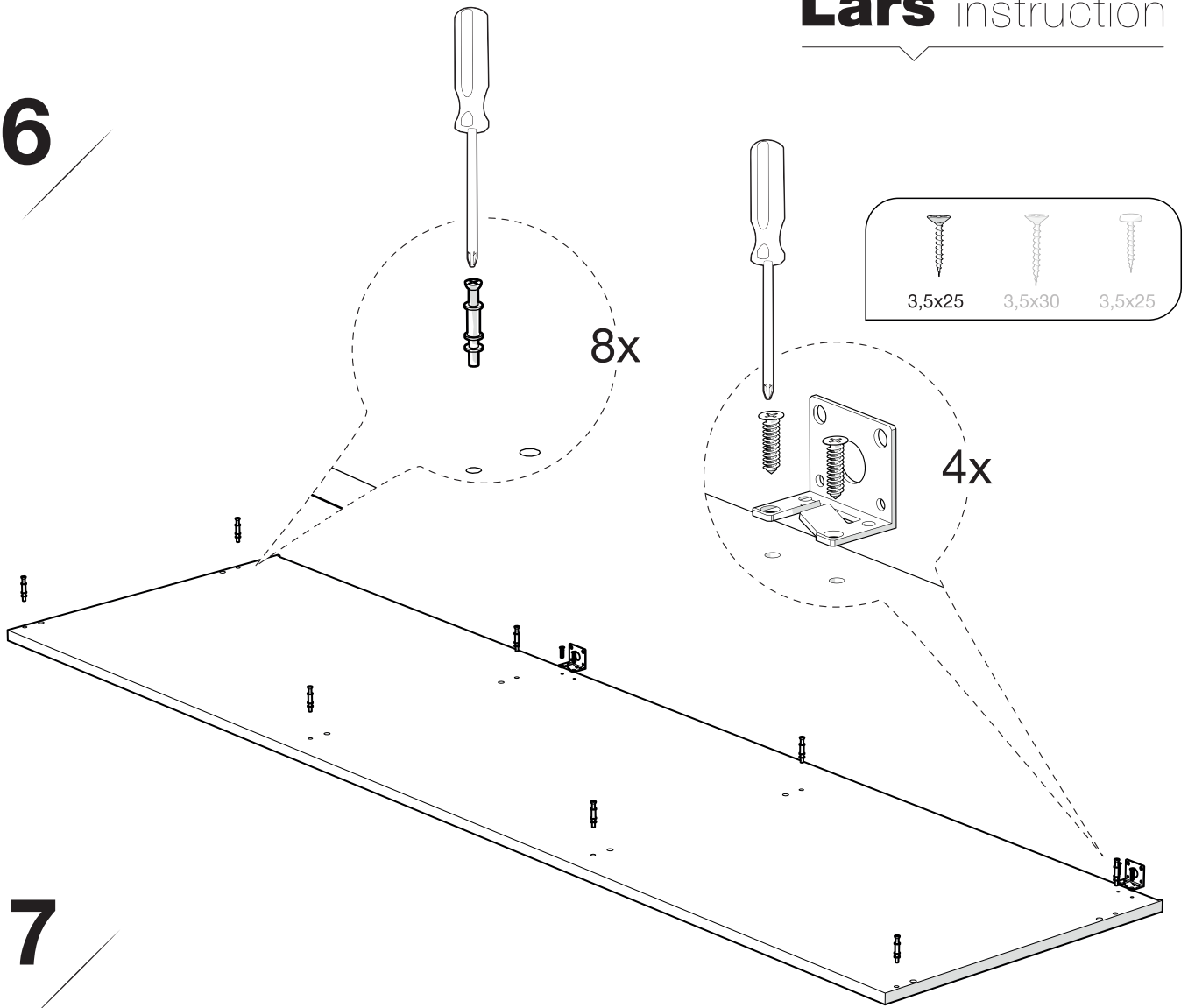


5

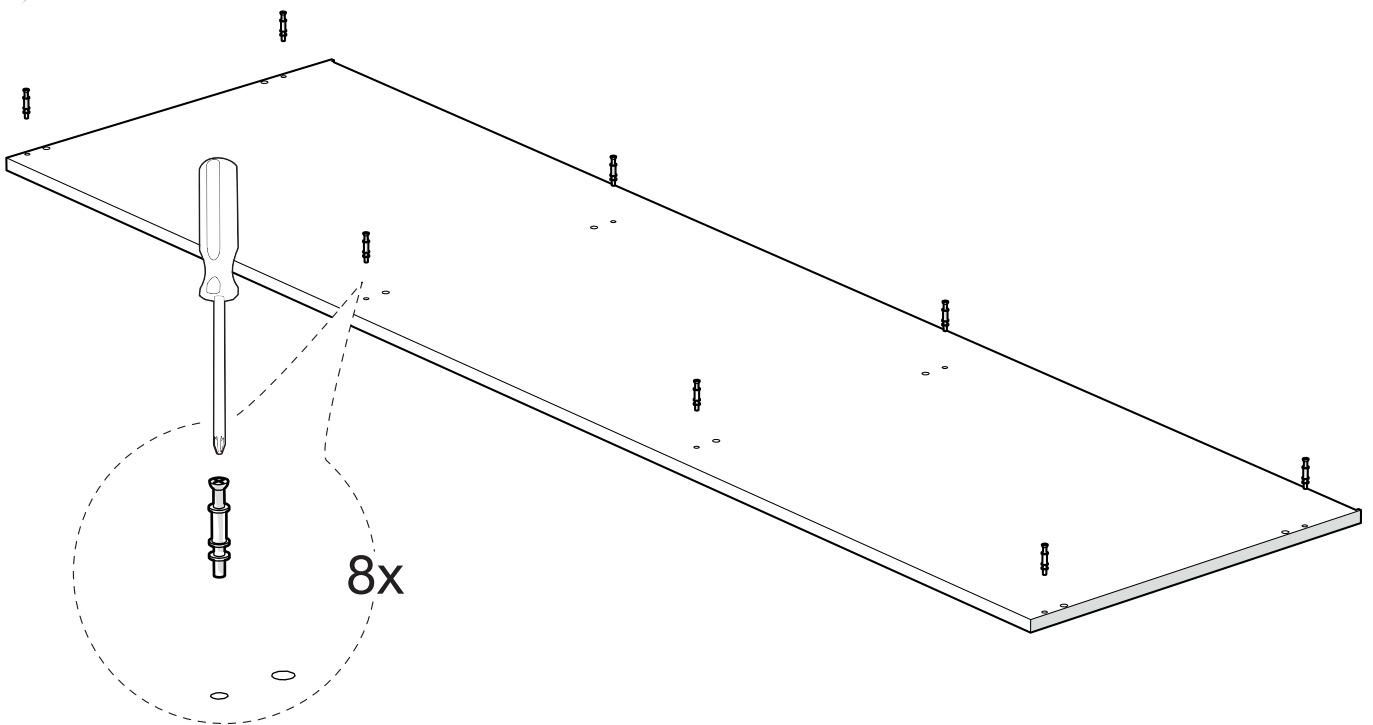


RUDENKO

6

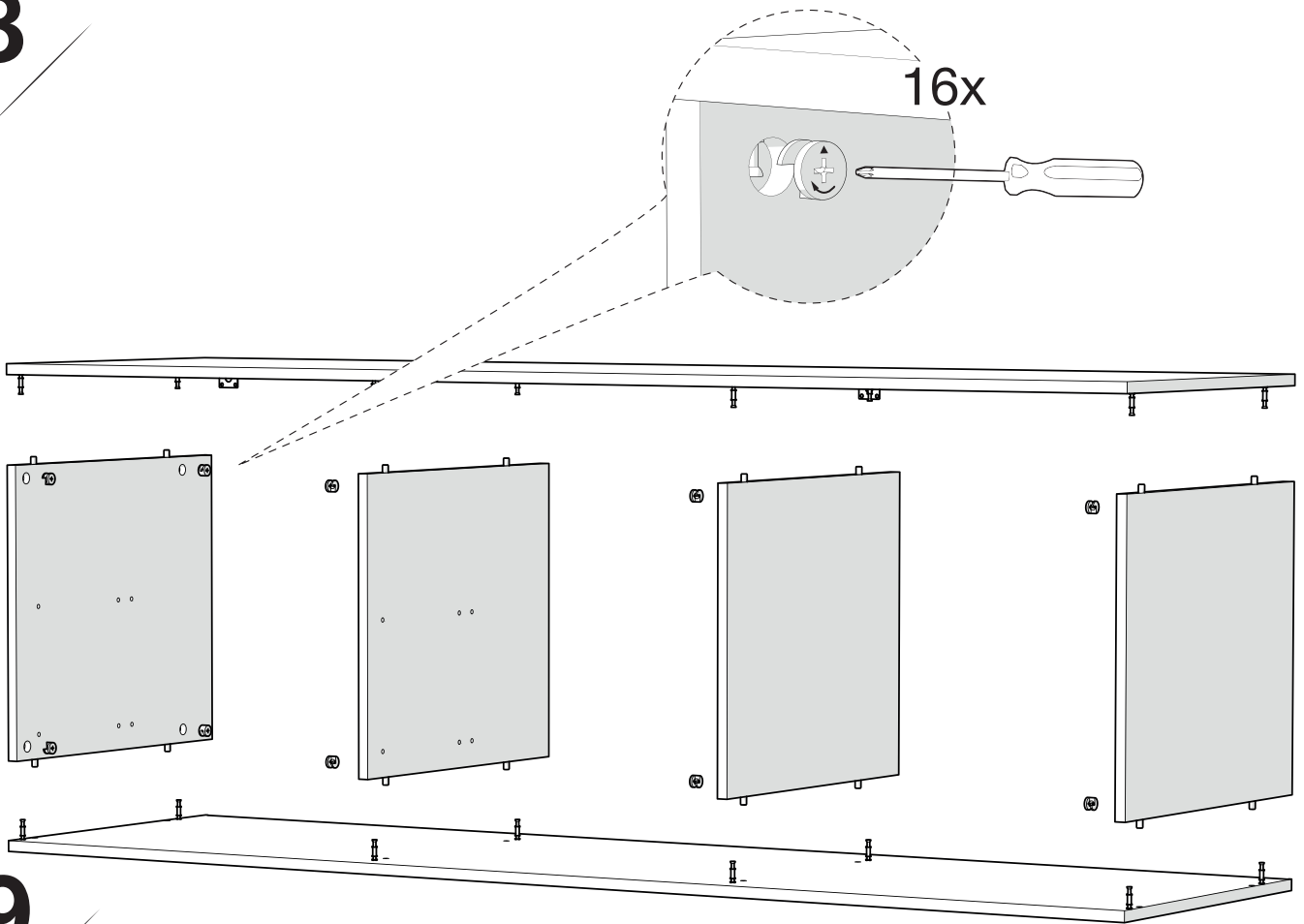


7

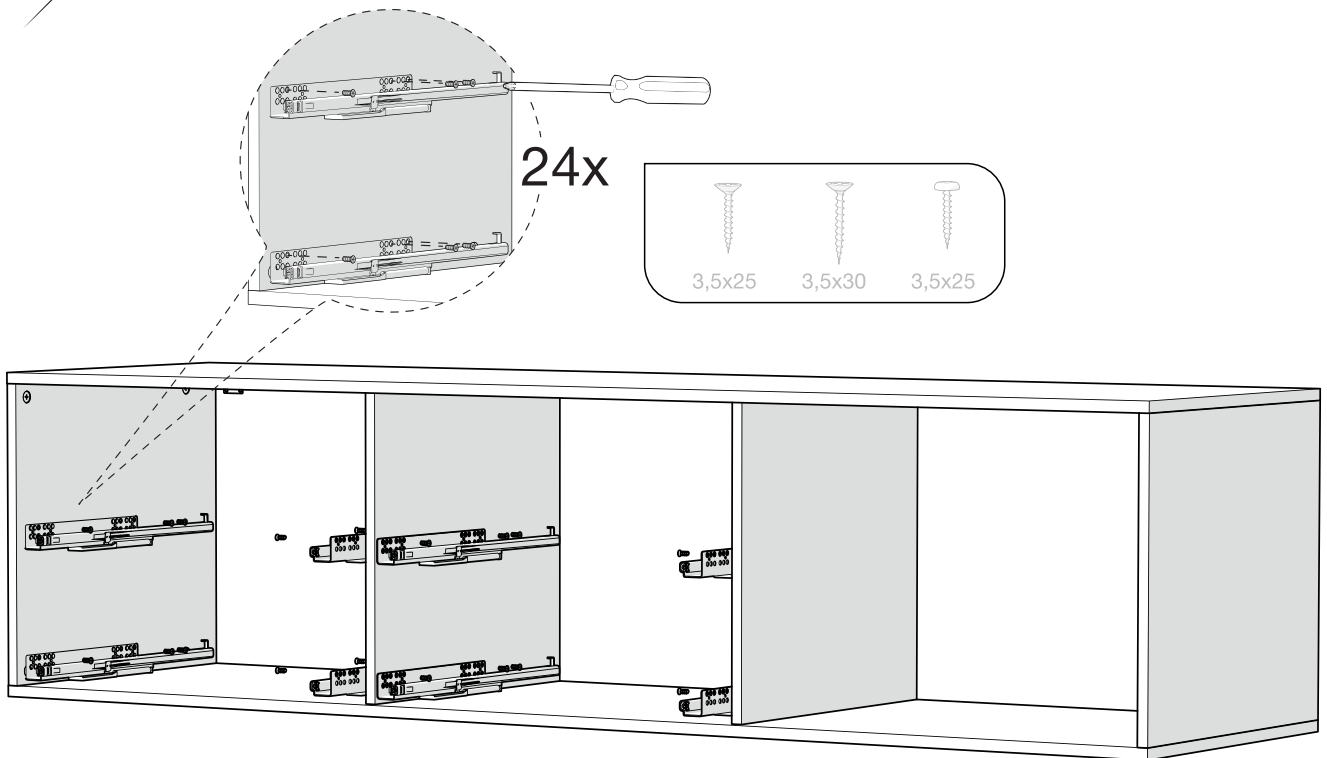


RUDENKO

8

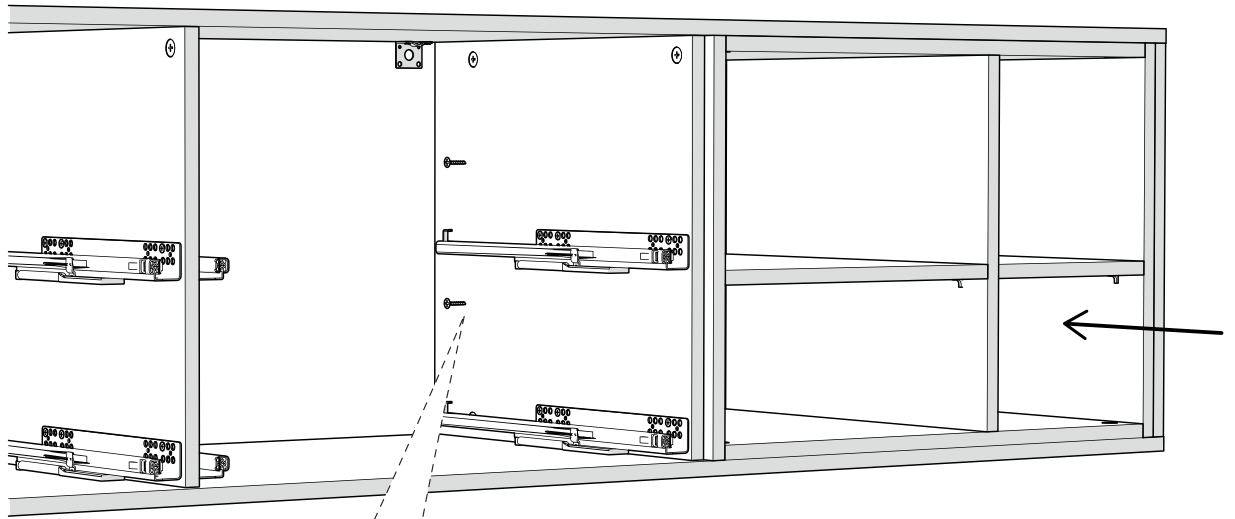


9

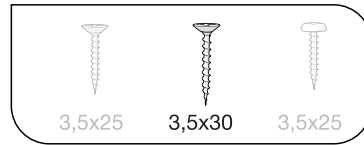
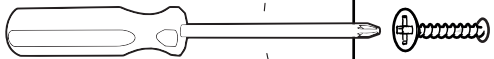


RUDENKO

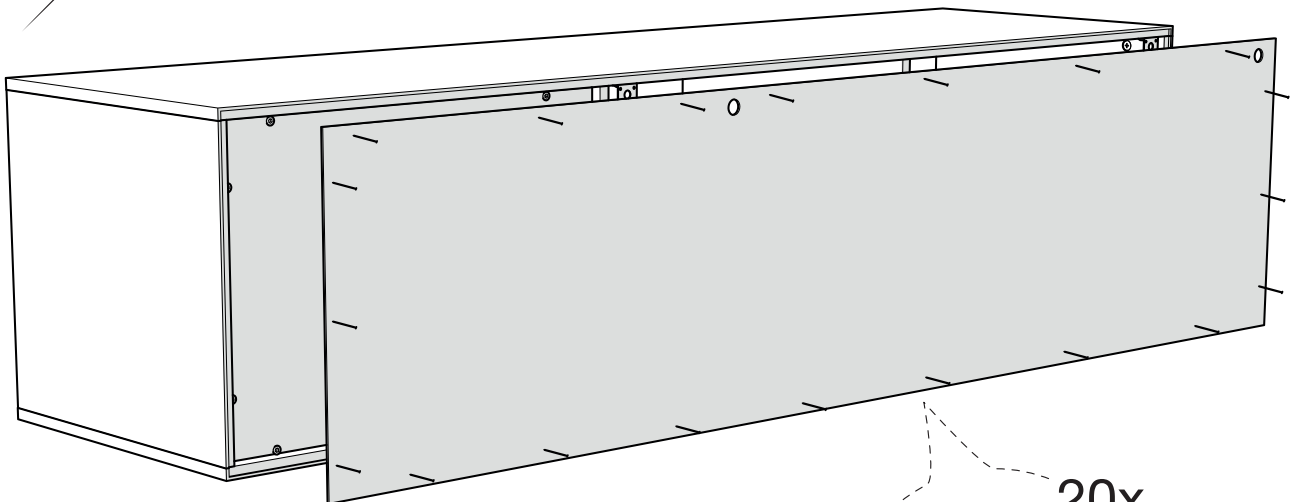
10



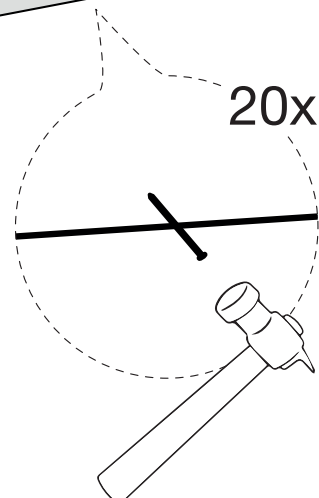
2x



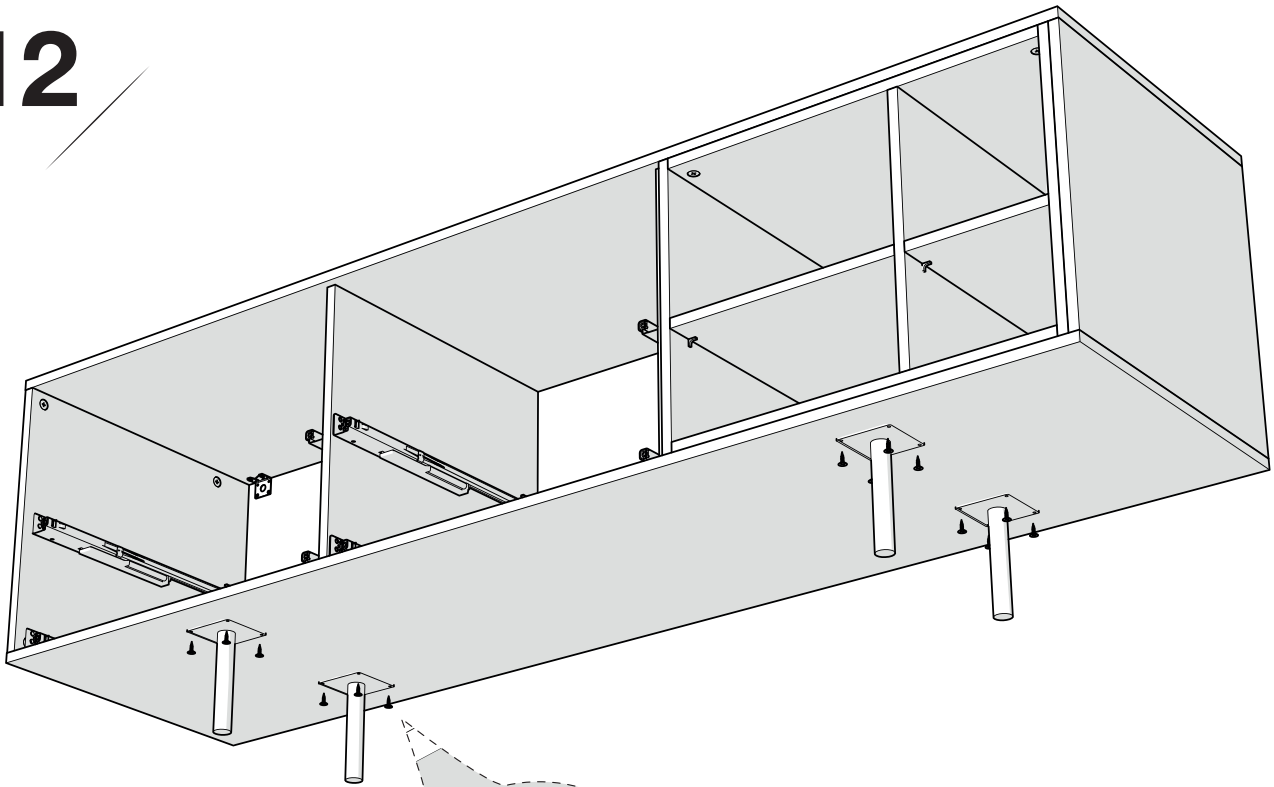
11



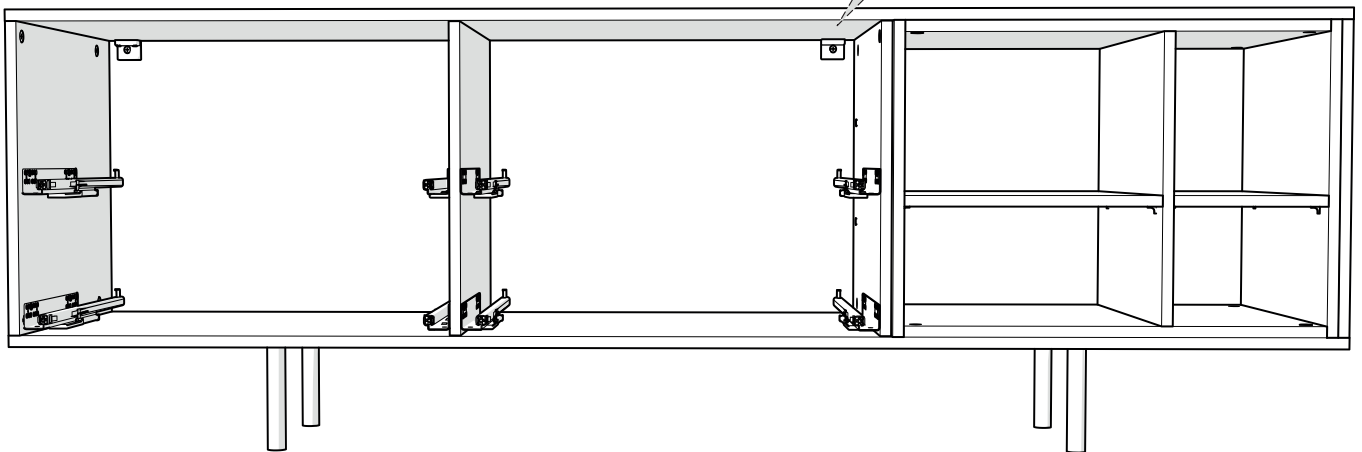
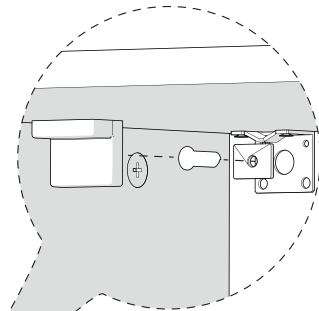
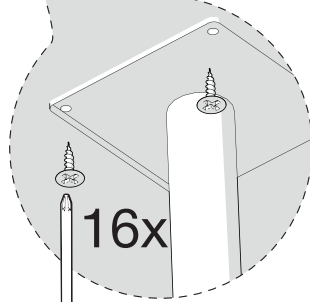
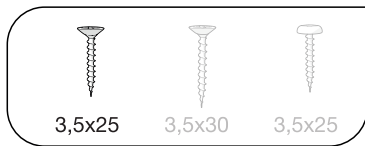
20x



12

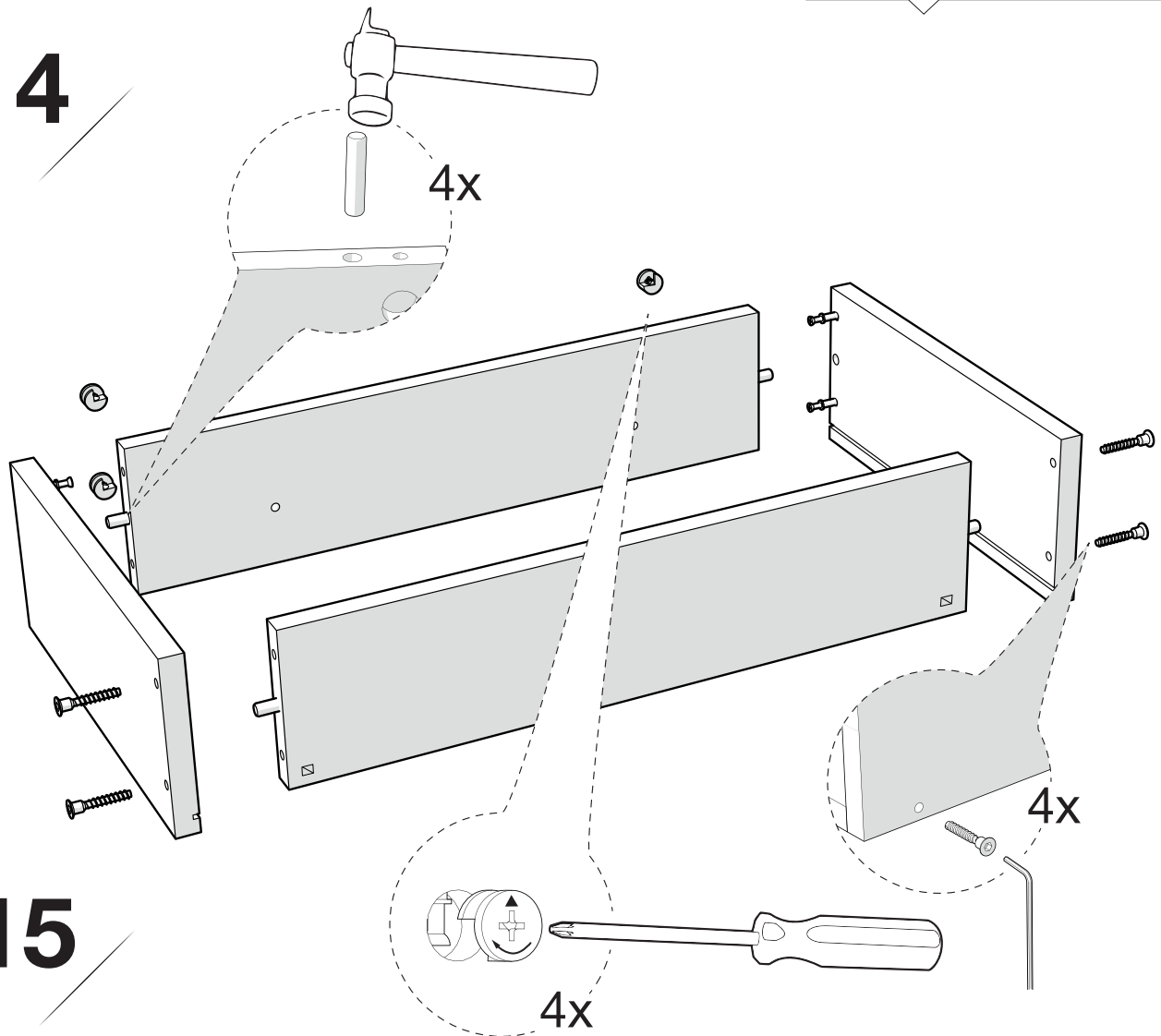


13

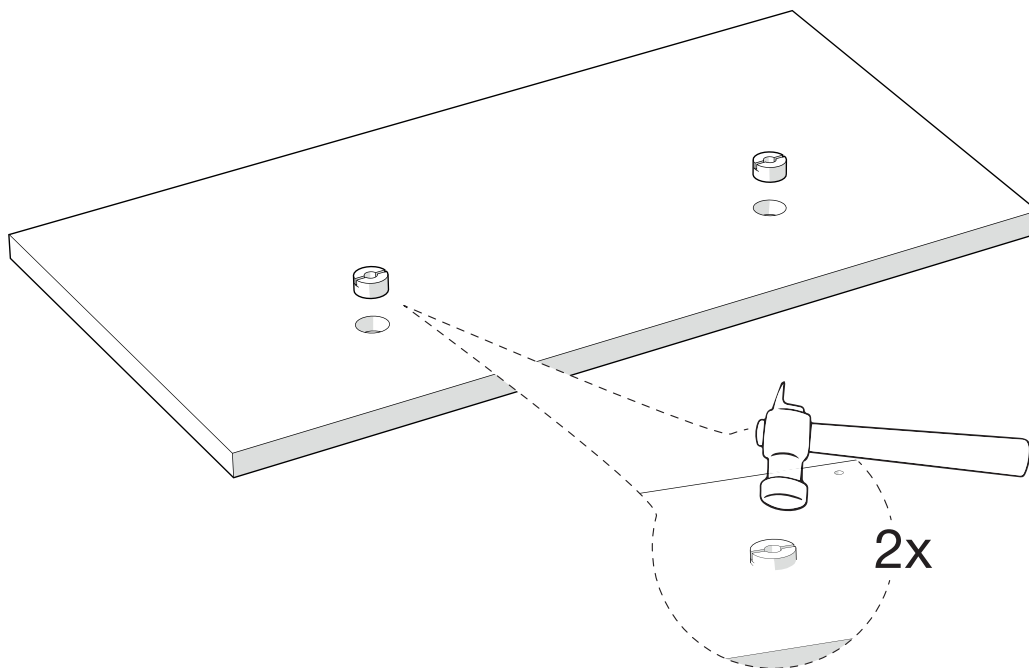


RUDENKO

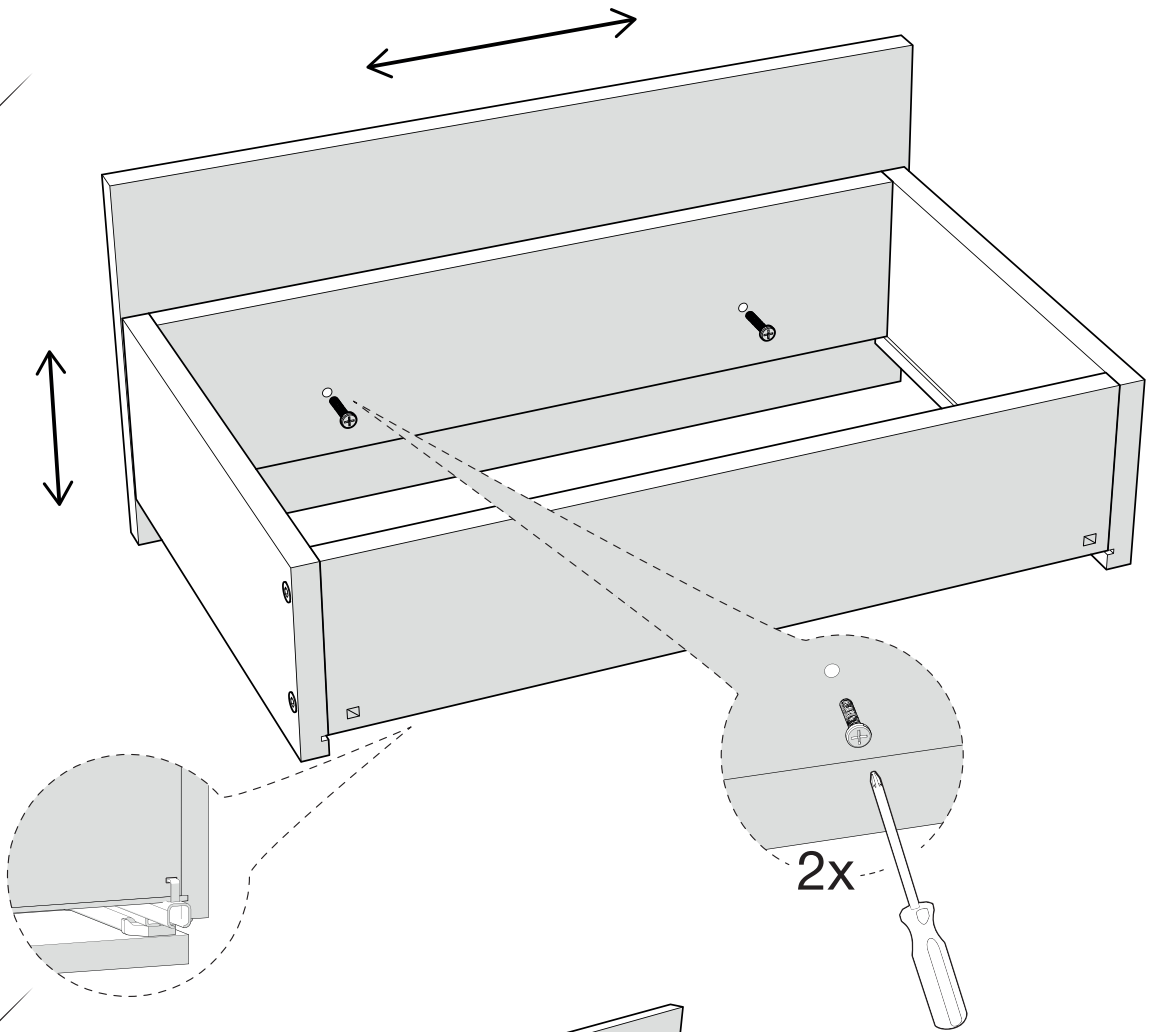
14



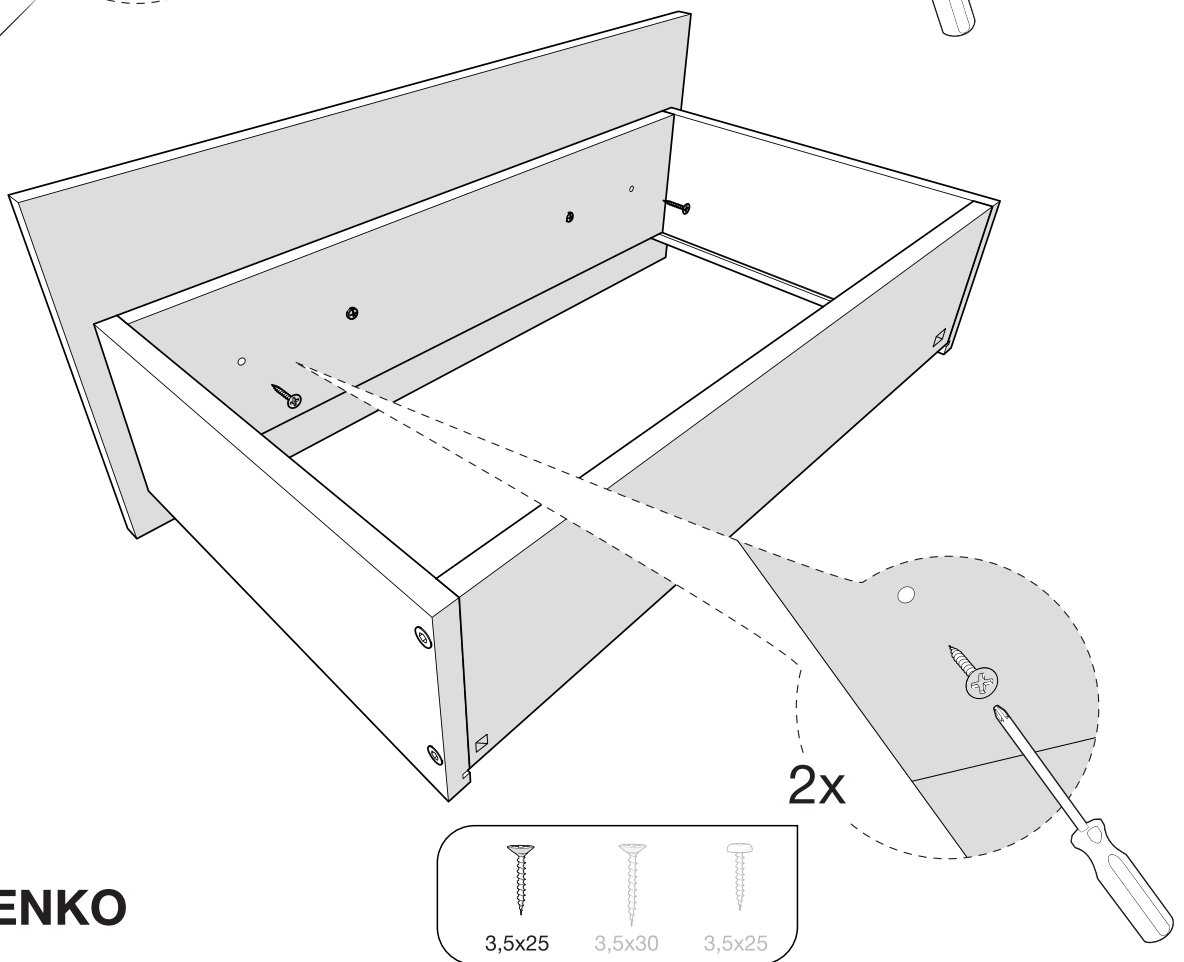
15



16

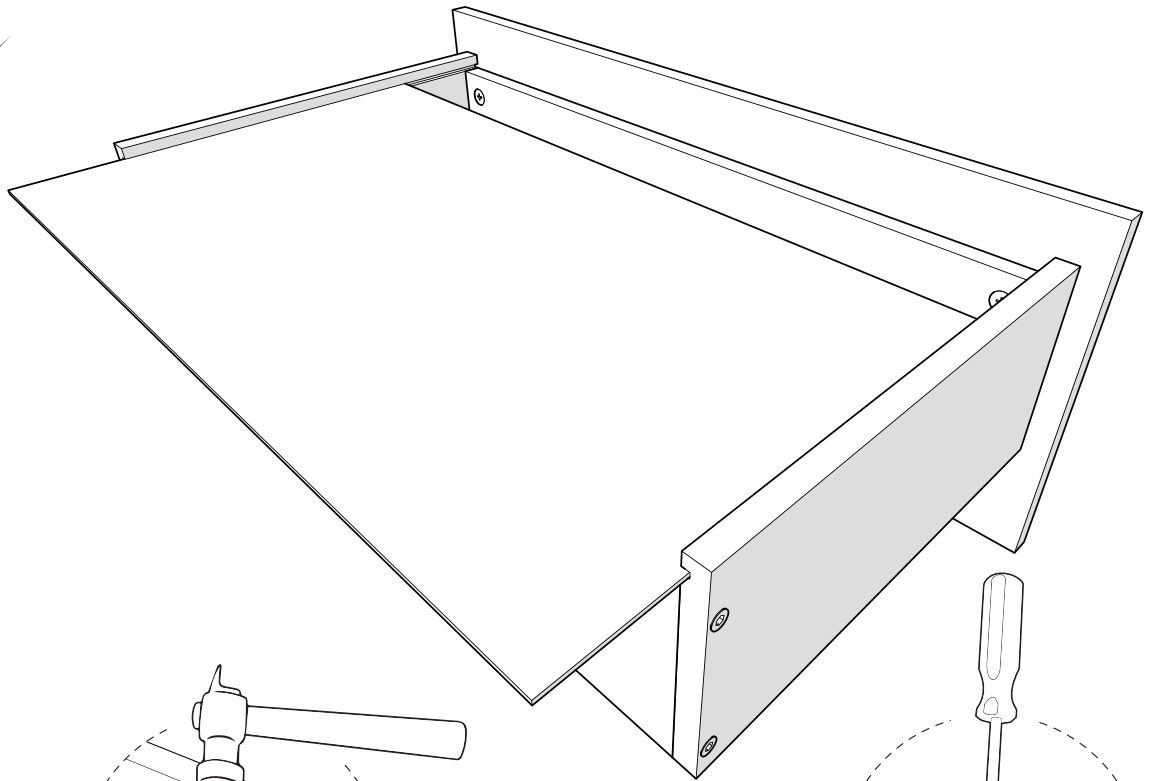


17

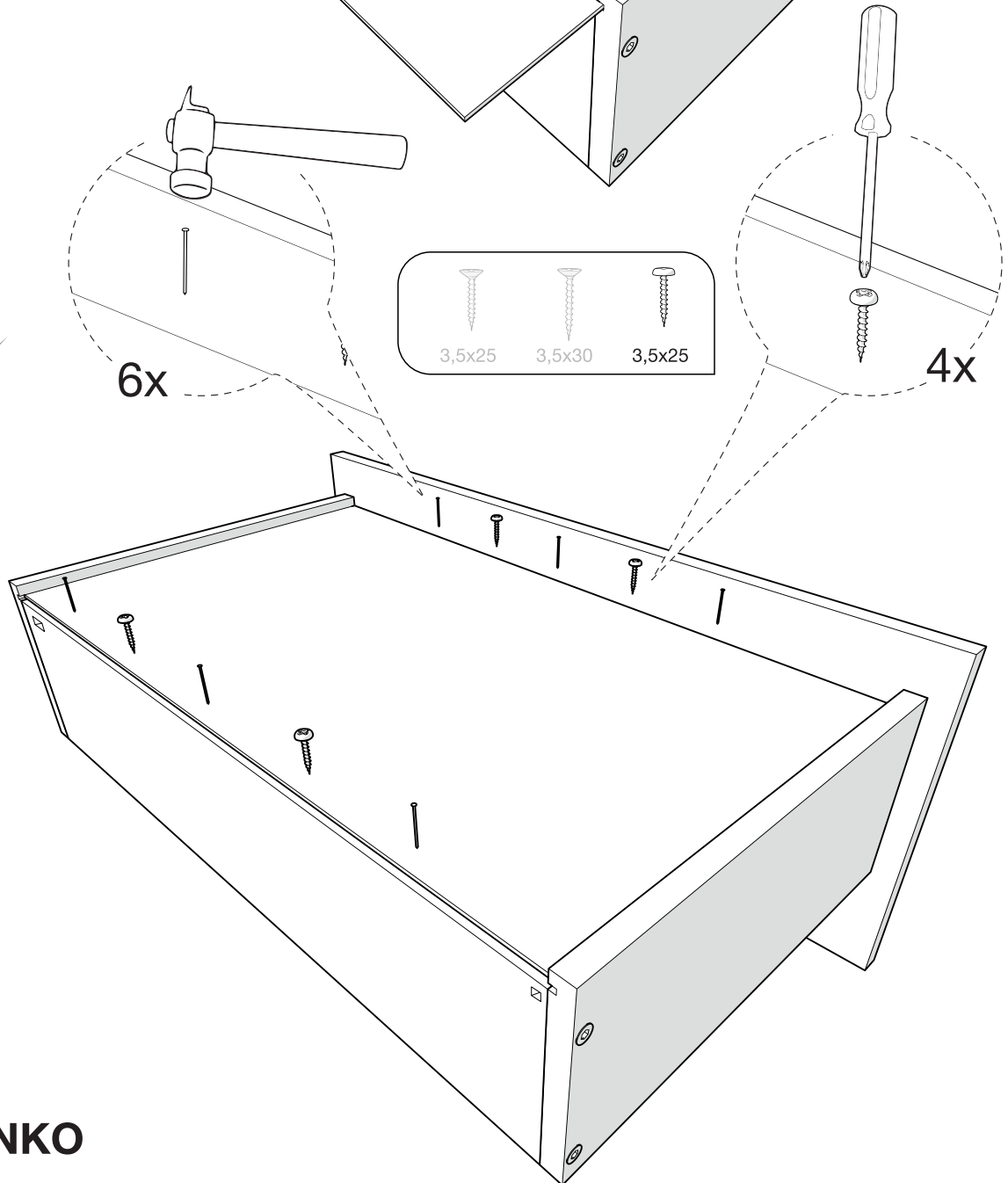


RUDENKO

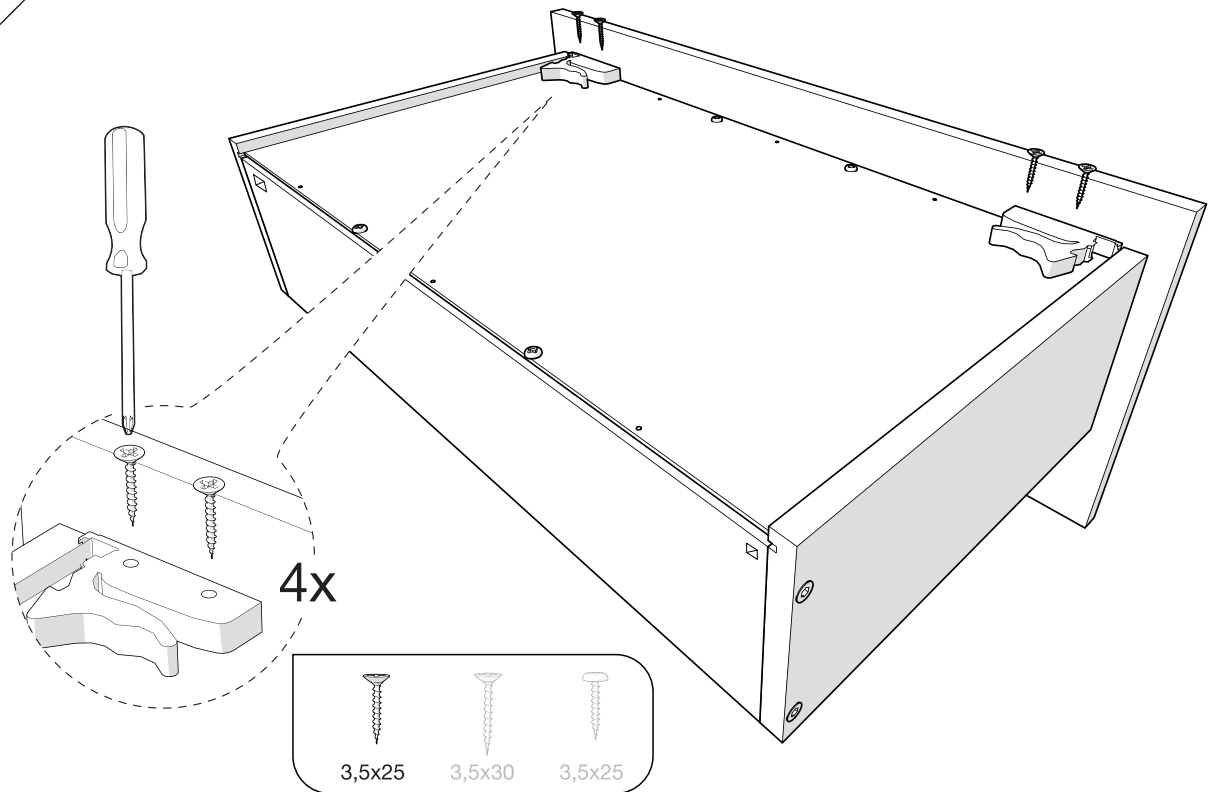
18



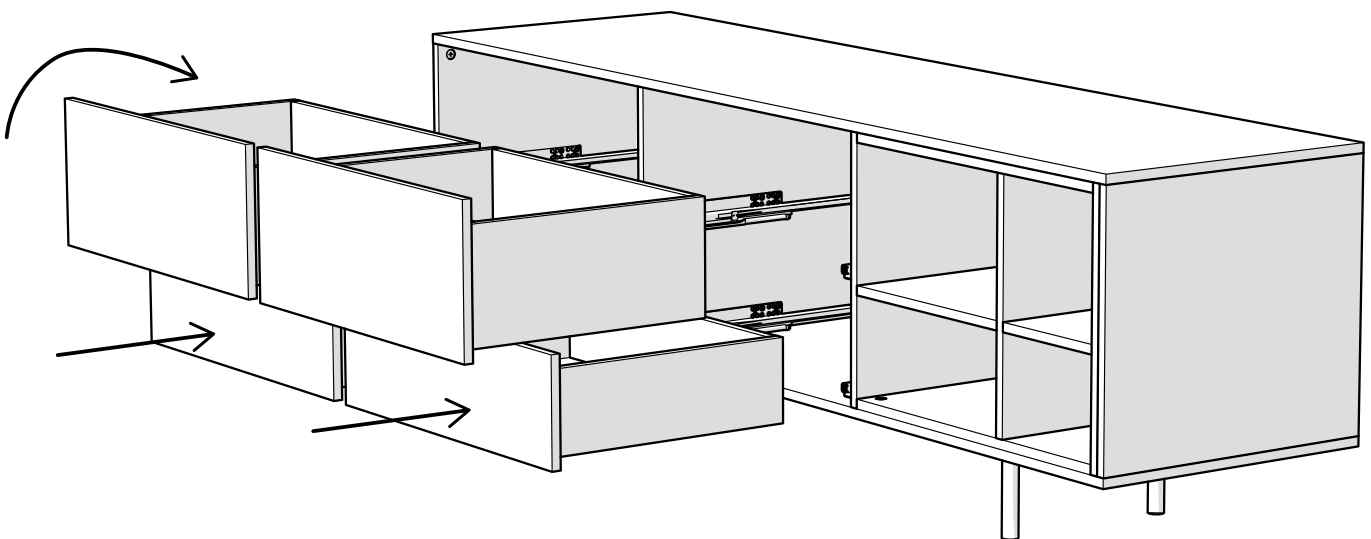
19



20



21



RUDENKO